

### SPECIFICATIONS

Posts and post plates shall conform to A.S.T.M. A36 and shall be galvanized in accordance with A.S.T.M. A123 except when corrosion resistant steel posts are requested, in which case posts and post plates shall conform to A.S.T.M. A588 and shall not be painted or galvanized.

Welding shall conform to the requirements of the current American Welding Society Structural Welding Code, A.W.S. D1.1.

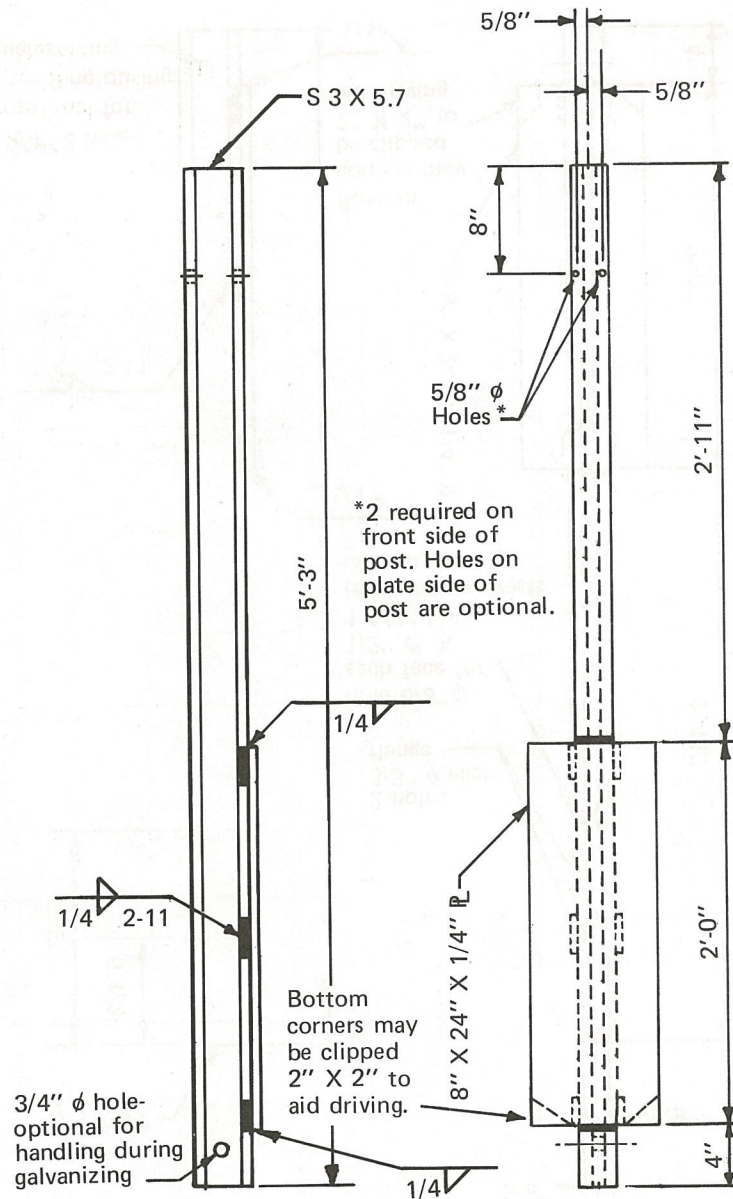
No punching, drilling, cutting or welding will be permitted after galvanizing.

Dimensional tolerances not shown or implied are intended to be those consistent with the proper functioning of the post, including its appearance, and accepted manufacturing practices.

### INTENDED USE

This post is used to support rail elements in the standard Box Beam Guardrail system G3 .

Note: See P-5-76 for Rail Support Angle details. This post may be used as an alternate to p-49-76 and P-64-79.



### G3 STRUCTURAL SHAPE POST (STEEL)

HM-TF-13

P-4 -76

STANDARD